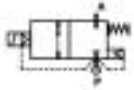


2/2 WAY PILOT OPERATED VALVE WITH ASSISTED LIFT, G 1/4" ÷ G 1"



normally closed

TYPE: D187/188/189/190/192/293

TECHNICAL SPECIFICATIONS

Media: water, oil, air

Media temperature: -10°C ÷ +90°C

Ambient temperature: -10°C ÷ +50°C

Body material: brass (CW617N EN 12165)

Operator material: stainless steel

Operator seal material: FKM

Seal and diaphragm material: NBR

Coil power: AC 18VA (holding)

AC 36VA (inrush)

DC 14W

Protection class: IP 65 (with connector)



OPTIONS

EPDM seal for air and hot water MAX 120°C (Ex. code D188DEW)

FKM seal for air, water, oil MAX 130°C (Ex. code D187DVW)

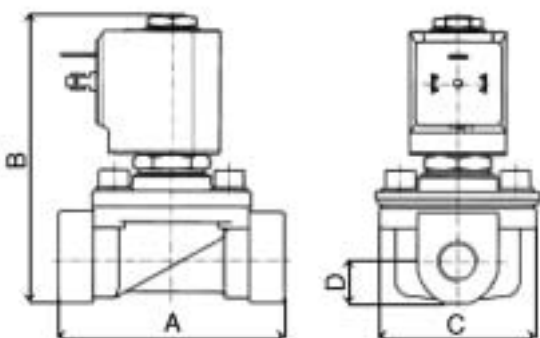
• DC MAX 6 bar x D187÷192 (Ex. code C D187DBW)

• DC MAX 5 bar x D293 (Ex. code C D293DBY)

(¹) Speed control screw as standard for type "D293"

SELECTION TABLE

VALVE	G connection	Nominal Diameter	Flow rate kvs	OPD			COILS	
				min	max		Code	[Volts/Hz]
Code	[ISO 228]	[mm]	[l/min]	[bar]	AC [bar]	DC [bar]		
D187DBW	1/4"	15	50	0	16	•	7250	24V DC
D188DBW	3/8"	15	60	0	16	•	7200	24V 50/60Hz
D189DBW	1/2"	15	65	0	16	•	7400	110V 50Hz - 120V 60Hz
D190DBW	3/4"	15	80	0	16	•	7600	200V 50Hz - 220V 60Hz
D192DBW compact	1"	15	85	0	16	•	7700	230V 50Hz - 240V 60Hz
D293DBY(¹)	1"	25	140	0	16	•		



DIMENSIONS & WEIGHTS

G connection	A	B	C	D	weight
[ISO 228]	[mm]	[mm]	[mm]	[mm]	[Kg]
1/4"	75	108	53	14	0.5
3/8"	75	108	53	14	0.5
1/2"	75	108	53	14	0.5
3/4"	85	108	52	21.5	0.8
1" compact	85	108	52	21.5	0.7
1"	100	113	68	21.5	1.2