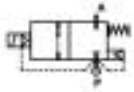


2/2 WAY PILOT OPERATED SOLENOID VALVE, G 1/4" ÷ G 1/2"



normally closed

TYPE: D264/265/266

TECHNICAL SPECIFICATIONS

Media: water, oil, air

Media temperature: -10°C ÷ +90°C

Ambient temperature: -10°C ÷ +50°C

Body material: brass (CW617N EN 12165)

Operator material: stainless steel

Operator seal material: NBR

Diaphragm material: NBR

Coil power: AC 18VA (holding)

AC 36VA (inrush)

DC 14W

Protection class: IP 65 (with connector)



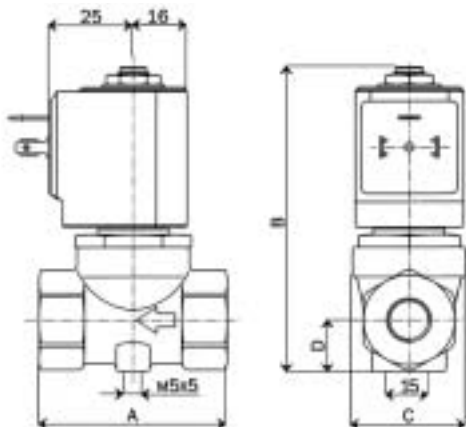
OPTIONS

FKM seal for air, water, oil MAX 130°C (Ex. code D266DVU)

EPDM seal for air and hot water MAX 120°C (Ex. code D266DEU)

SELECTION TABLE

VALVE	G connection	Nominal Diameter	Flow rate kvs	OPD			COILS	
				min	max	Code	[Volts/Hz]	
Code	[ISO 228]	[mm]	[l/min]	[bar]	AC [bar]	DC [bar]	Code	[Volts/Hz]
D264DBU	1/4"	10.5	21	0.1	16	7	7250	24V DC
D265DBU	3/8"	10.5	24	0.1	16	7	7200	24V 50/60Hz
D266DBU	1/2"	10.5	25	0.1	16	7	7400	110V 50Hz - 120V 60Hz
							7600	200V 50Hz - 220V 60Hz
							7700	230V 50Hz - 240V 60Hz



DIMENSIONS & WEIGHTS

G connection	A	B	C	D	weight
[ISO 228]	[mm]	[mm]	[mm]	[mm]	[Kg]
1/4"	54	89	34	15.5	0.4
3/8"	54	89	34	15.5	0.4
1/2"	54	89	34	15.5	0.4