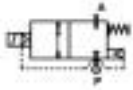


2/2 WAY PILOT OPERATED SOLENOID VALVE, G 3/4" AND G 1"



normally closed

TYPE: D606/622

TECHNICAL SPECIFICATIONS

Media:	hot water, steam
Media temperature:	+60°C [⊖] ÷ +180°C
Ambient temperature:	-10°C ÷ +70°C
Body material:	brass (CW617N EN 12165)
Orifice material:	stainless steel (AISI 303 EN 10088-3)
Operator material:	stainless steel
Diaphragm material:	PTFE
Coil power:	AC 18VA (holding) AC 36VA (inrush)
Protection class:	IP 65 (with connector)

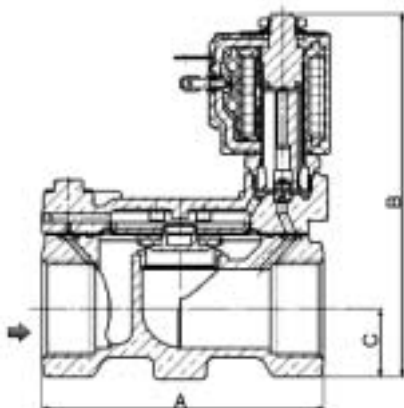
OPTIONS

Speed control screw (waterhammer free design) Ex. code D622DTYV



⊖ For a correct functioning, the minimum working temperature of the solenoid valve cannot be below 60°C

SELECTION TABLE	VALVE	G connection	Nominal Diameter	Flow rate kvs	OPD		COILS class "H" only		
	Code	[ISO 228]	[mm]	[l/min]	min	max	Code	[Volts/Hz]	
					[bar]	AC [bar]	DC [bar]		
	D606DTY	3/4"	24	120	1	10	-	7201	24V 50/60Hz
	D622DTY	1"	24	120	1	10	-	7401	110V 50Hz - 120V 60Hz
								7601	200V 50Hz - 220V 60Hz
								7701	230V 50Hz - 240V 60Hz



DIMENSIONS & WEIGHTS	G connection	A	B	C	weight
	[ISO 228]	[mm]	[mm]	[mm]	[Kg]
	3/4"	96	124	23	1.3
1"	96	124	23	1.3	