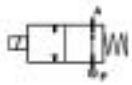


## 2/2 WAY DIRECT ACTING SOLENOID VALVE, G1/4"



normally open

TYPE: RD236

### TECHNICAL SPECIFICATIONS

Media: water, oil, air
Media temperature: -10°C ÷ +130°C
Ambient temperature: -10°C ÷ +50°C
Body material: brass (CW617N EN 12165)
Orifice material: stainless steel (AISI 303 EN 10088-3)
Operator material: stainless steel
Main seal material: FKM
Coil power: AC 18VA (holding)
AC 36VA (inrush)
DC 14W
Protection class: IP 65 (with connector)

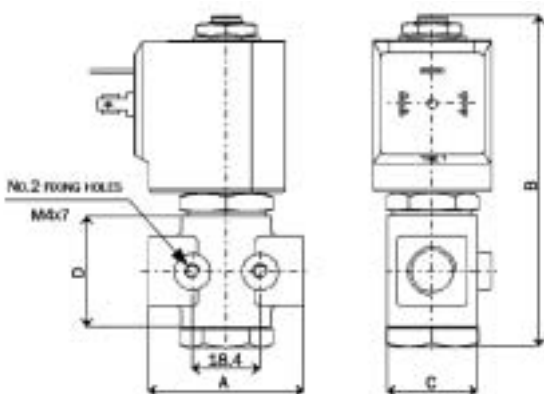
### OPTIONS

EPDM seal for air and hot water MAX 120°C (Ex. code RD236DEC)  
 RUBY seal -10°C +180°C for high temperature with class "H" coils  
 (Ex. code RD236DRH 7201)



### SELECTION TABLE

VALVE	G connection	Nominal Diameter	Flow rate kvs	OPD			COILS	
				min	max		Code	[Volts/Hz]
Code	[ISO 228]	[mm]	[l/min]	[bar]	AC [bar]	DC [bar]	Code	[Volts/Hz]
RD236DVA	1/4"	1.0	0.5	0	30	30	7250	24V DC
RD236DVC	1/4"	1.5	1.3	0	20	20	7200	24V 50/60Hz
RD236DVG	1/4"	2.5	2.8	0	15	15	7400	110V 50Hz - 120V 60Hz
RD236DVH	1/4"	3.0	3.5	0	12	12	7600	200V 50Hz - 220V 60Hz
RD236DVM	1/4"	4.5	5.5	0	5	5	7700	230V 50Hz - 240V 60Hz



### DIMENSIONS & WEIGHTS

G connection	A	B	C	D	weight
[ISO 228]	[mm]	[mm]	[mm]	[mm]	[Kg]
1/4"	42	89	24.5	30.3	0.25